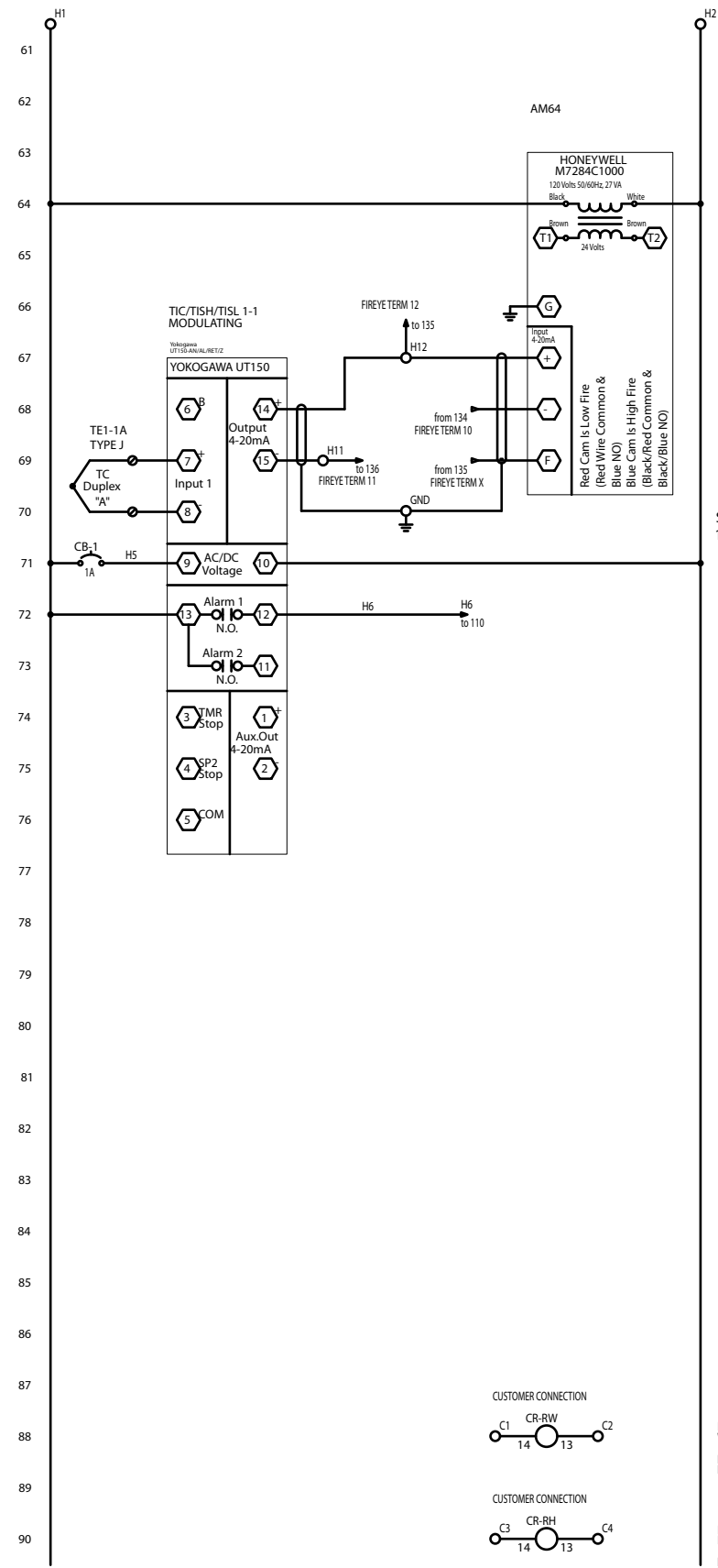
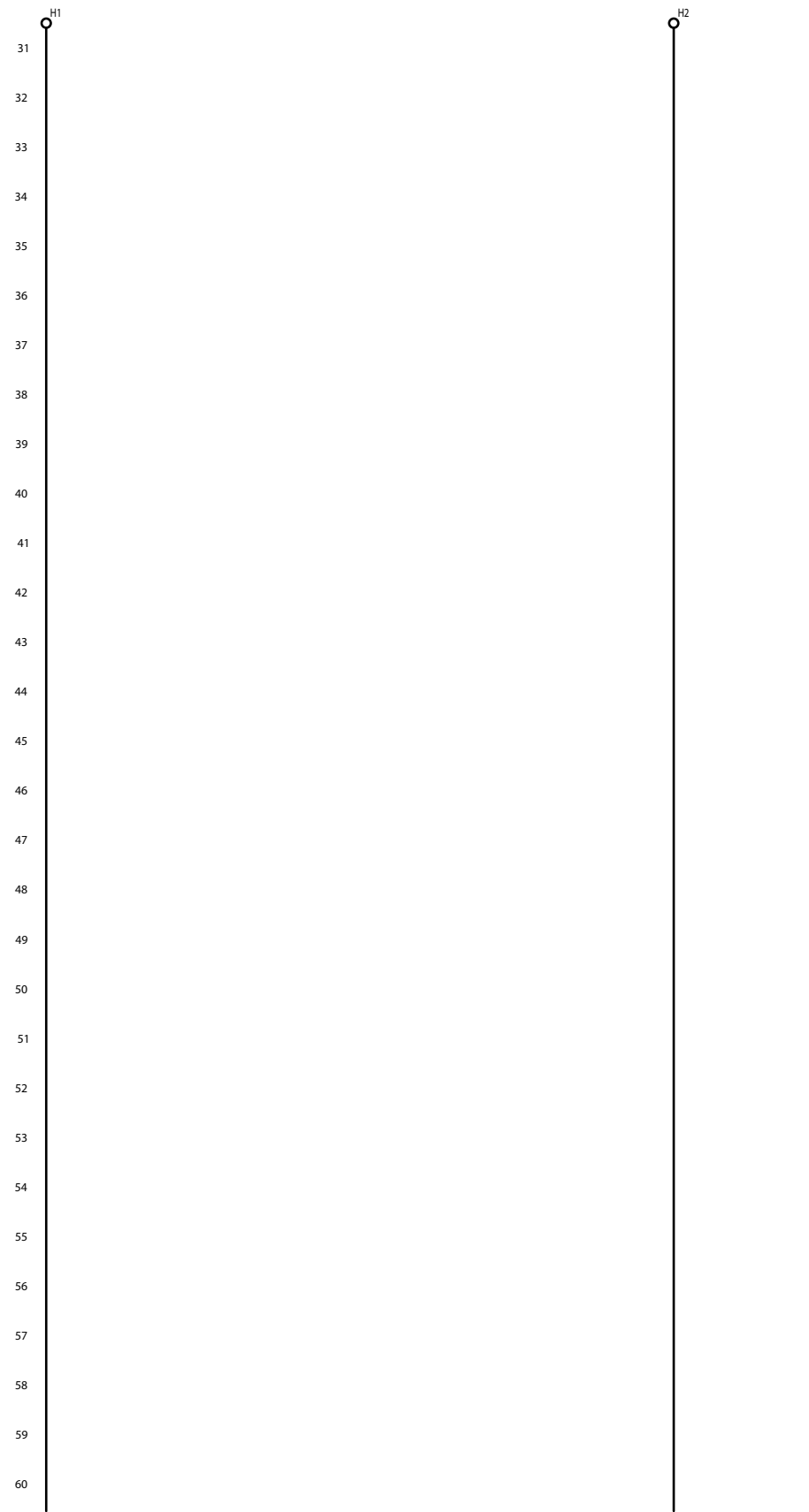
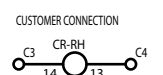
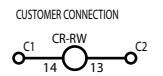


120VAC / 1Ph / 60Hz Overload  
Protected Power Supplied  
From Heatec Transformer

EQUIPMENT GROUND (PER NEC)  
#10 AWG GREEN WIRE

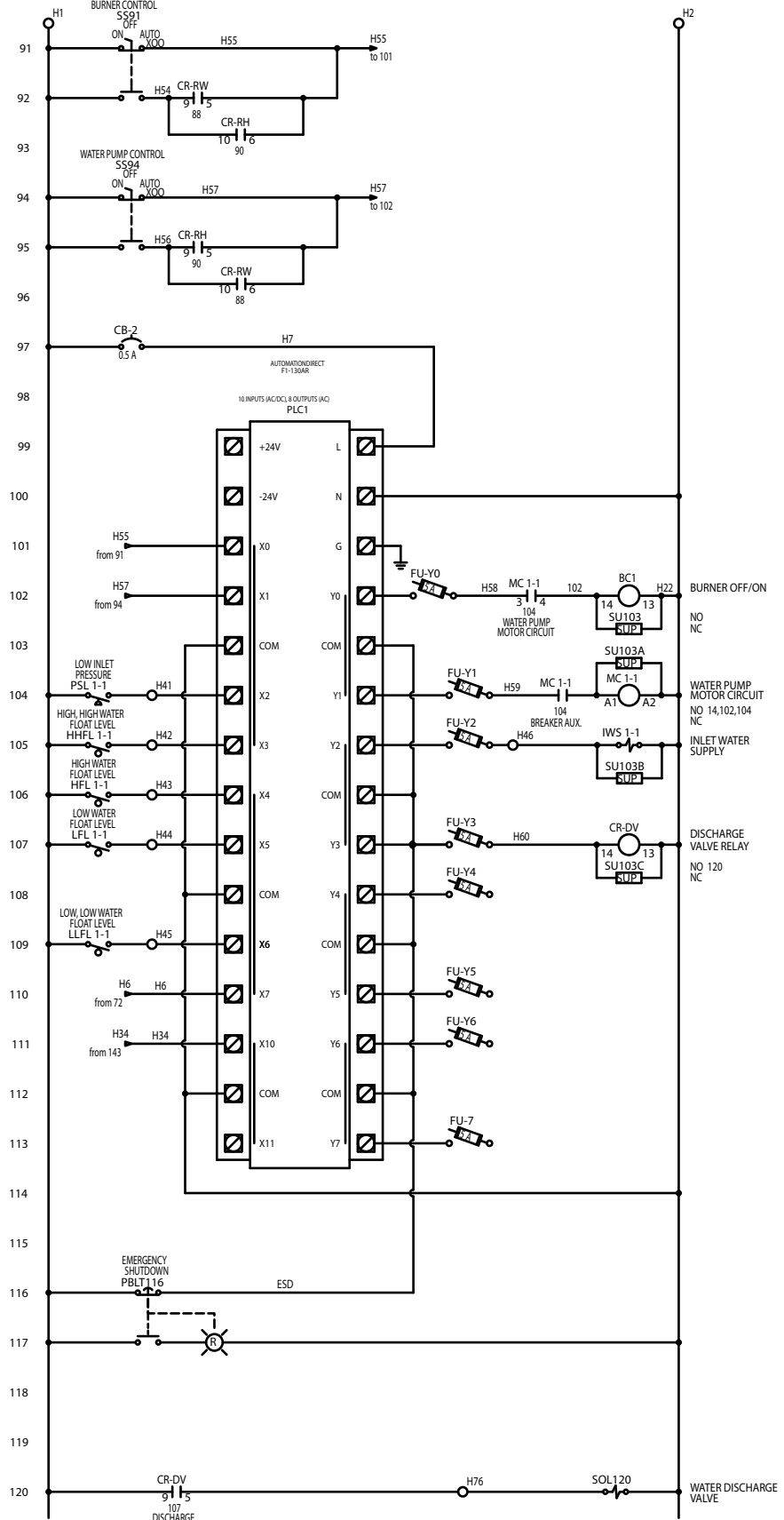


Set Point  
180 °F



REMOTE TANK  
WATER DEMAND  
NO 92,96  
NC

REMOTE TANK  
HEAT DEMAND  
NO 93,95  
NC



HEATEC an Aesha company		PHONE (423) 821-5200 PO BOX 7760 CHATTANOOGA, TN 37407	FAX (423) 821-7673
DRAWING NAME HHW Water Heater UT150, YB110UV/YP100, Straight Gas		THIS DRAWING AND THE DESIGN SHOWN THEREIN IS THE PROPERTY OF HEATEC, INC. AND THE USE OF COPIES THEREOF CANNOT BE MADE WITHOUT WRITTEN CONSENT.	
DWG. DATE BLW 03/11/09	CHKD. DATE	APPR. DATE	
DWG/PART NO. 4001906	NO# XX-XXX-131-531	JOB# H0X-XXX	
	DESCRIPTION	DATE	BY